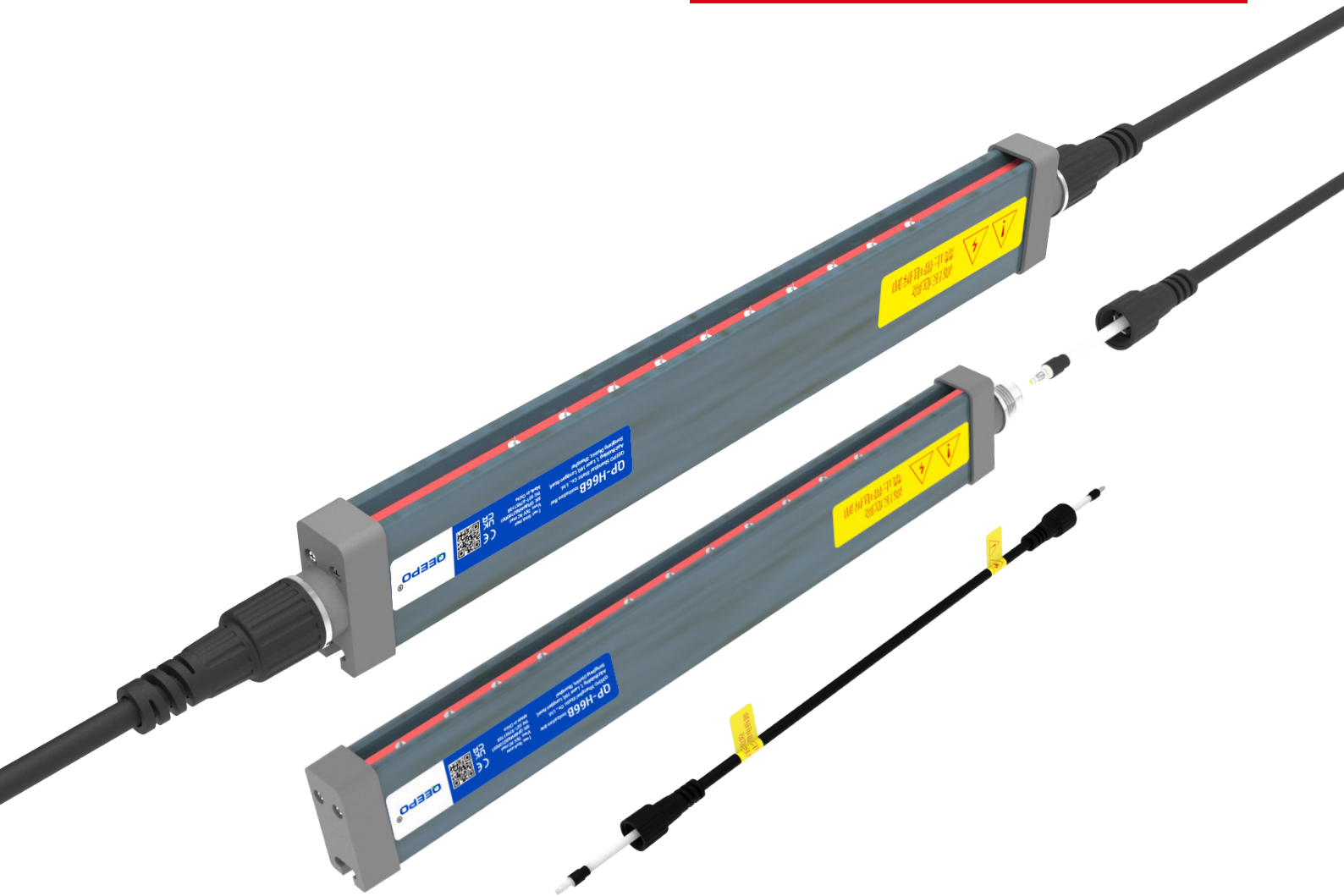




QP-H66B

Detachable And Efficient Electrostatic Eliminator

New Detachable High-voltage Line Design To Avoid Equipment Scrap
Caused By High-voltage Line Damage



Energy Saving, Easy To Maintain, And Wide Applicability

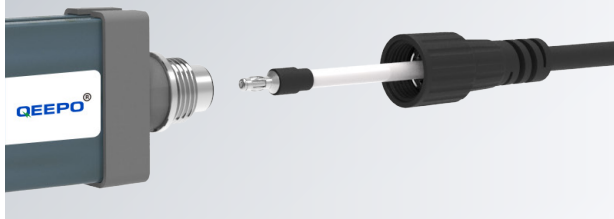
QP-H66B

Detachable And Efficient Electrostatic Eliminator

QP-H66B Is A Detachable Electrostatic Eliminator For High-voltage Lines. For Those With A Risk Of High-voltage Line Damage, Simply Replace The High-voltage Line Instead Of Replacing The Entire Electrostatic Rod. The External Part Is Made Of High Insulation Composite Material, With A Non-metallic Structure Design And An Internal Coupling Current Limiting Structure. The Safety Performance Is Better And The Environmental Applicability Is Higher. The New Structural Design Significantly Increases The Ion Production, And A High Insulation Fixed Slider Is Used For Easy Fixation And Installation, Suitable For Removing Static Electricity In Multiple Industrial Fields.

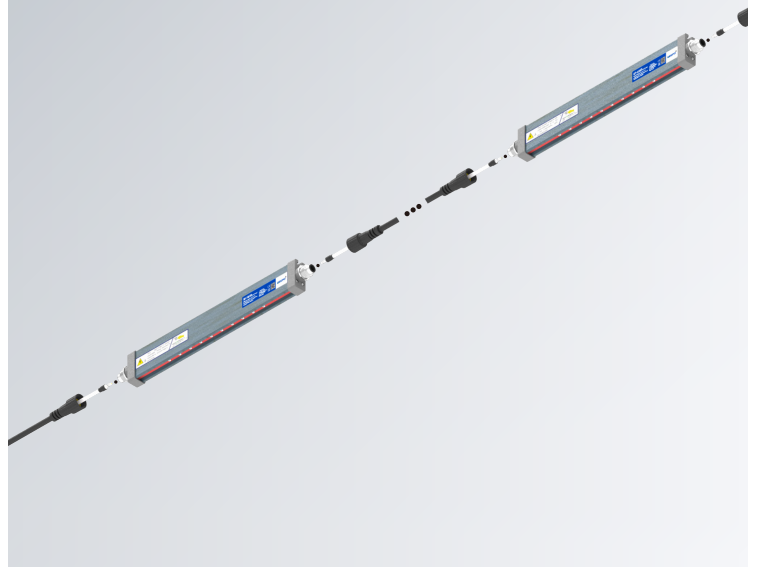
New Detachable High-voltage Line Design

For Those With A Risk Of High Voltage Line Damage, Simply Replace The High Voltage Line Without Replacing The Entire Electrostatic Rod



Both Ends Of The Electrostatic Rod Can Be Disassembled

Concise And Convenient Use In Series



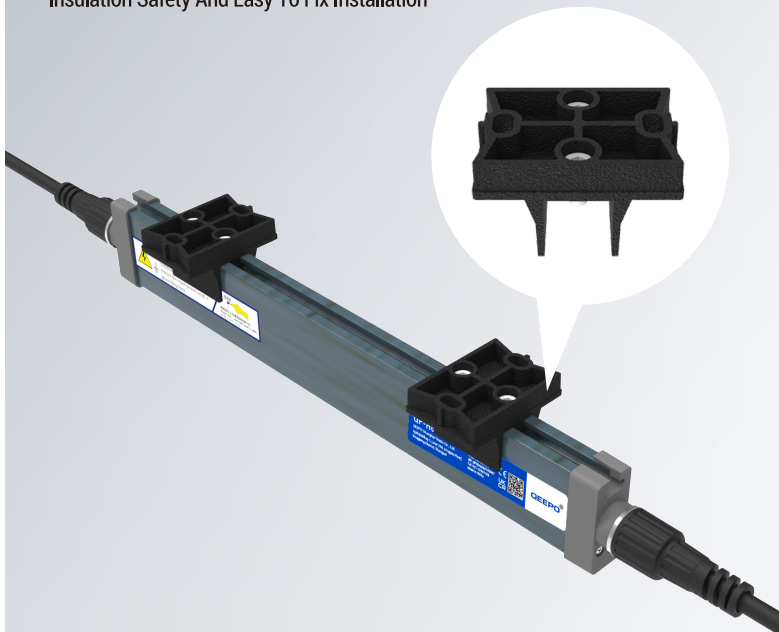
Double Ended High-Voltage Wire Length Can Be Customized

Maximum Length Of 11m (Standard 2.5 Meters), Selected According To The Maximum Load Of The Power Supply



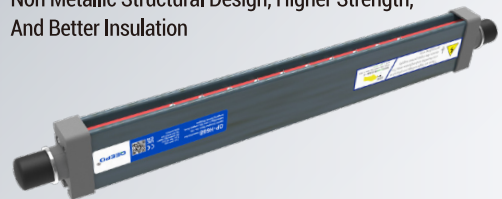
Using High Insulation Fixed Sliders

Insulation Safety And Easy To Fix Installation



External Use Of High Insulation Composite Materials

Non Metallic Structural Design, Higher Strength, And Better Insulation

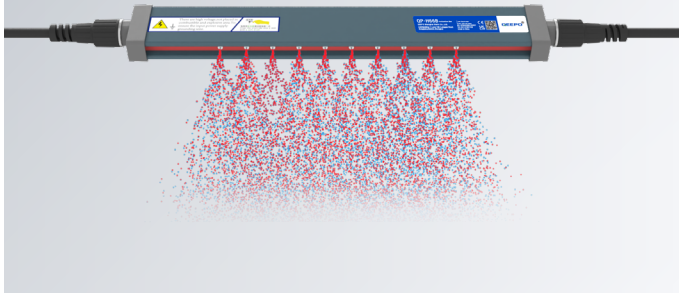


Internal Coupling Current Limiting Structure

Better Safety Performance And Higher Environmental Applicability

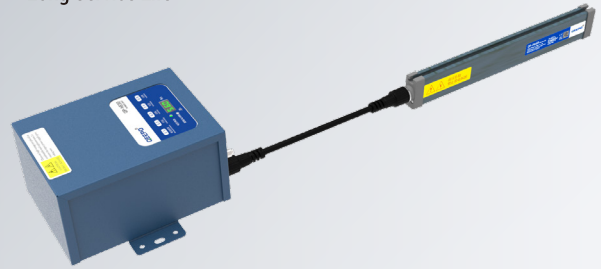


Innovative Structural Design
Significantly Increase Ion Production



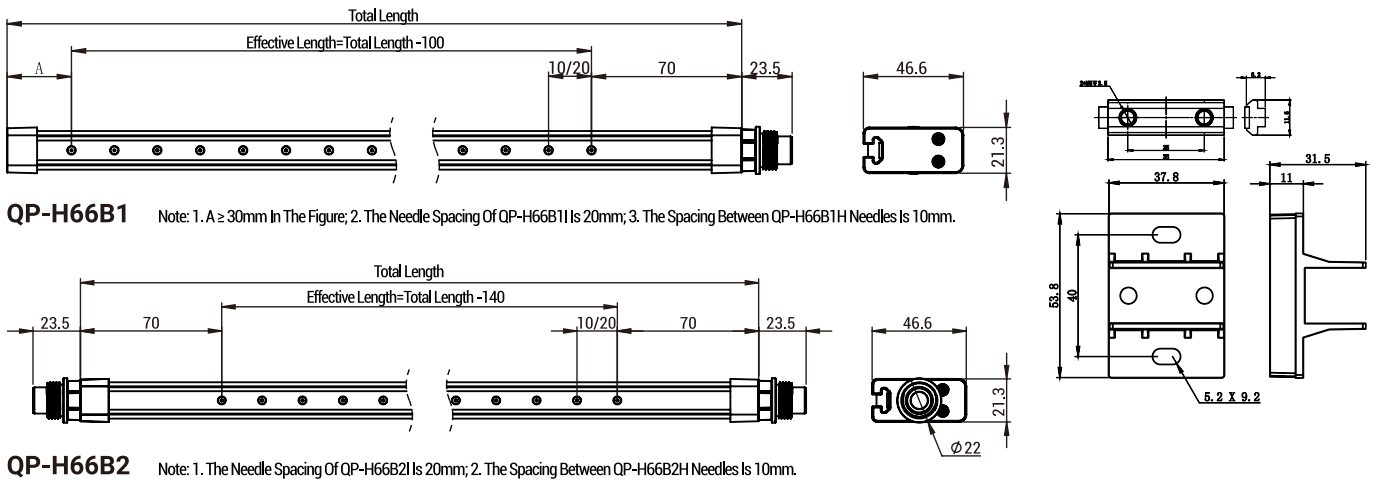
Equipped With A High-voltage Power Supply For Use Together

Safe, Reliable, Excellent Performance,
Long Service Life



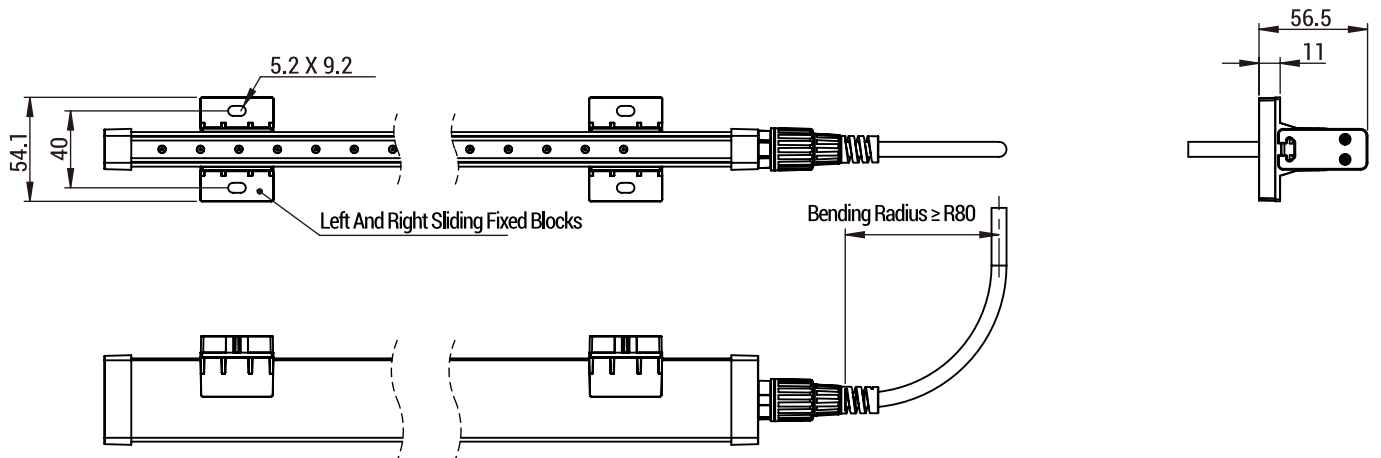
DRAWING

Size Parameter







DRAWING

Installation And Usage Dimension Diagram



Selection Guidance

Classification	Model	QP-H66B1I	QP-H66B1H	QP-H66B2I	QP-H66B2H
Structure	Model	Standard Version 	Electrode Encryption Type 	Standard Version 	Electrode Encryption Type 
	Needle Pitch	20mm	10mm	20mm	10mm
	Number Of High-pressure Connectors	1	1	2	2
Material Quality	Electrode Needle Material	Standard SS (Optional W)			
	Body Material	FRP/ABS/PC/PU/PA6			
Performance Parameter	Working Voltage	MAX 7Kv AC			
	Working Current	MAX 5mA			
	Working Frequency	50/60Hz			
	Working Distance	30~200mm	30~250mm	30~200mm	30~250mm
	Recommended Installation Distance	30~50mm			
	Section Size	21.3*46.6 mm(Excluding Fixed Blocks)			
Work Environment	Processing Length	120~4000mm	120~3990mm	160~4000mm	160~4000mm
	Operating Environment Temperature	0-50°C			
Supporting Cables	Operating Environment Humidity	0~70%RH (No Freezing, No Condensation)			
	Adapted Power Supply	Standard Length Of 2.5 Meters, With Two Plugs And A Bending Radius Of 80mm; Maximum Length Of 11 m (Selected Based On The Maximum Load Of The Power Supply)			
Adapted Power Supply	QP-HE10 Or QP-HE30				

Note: The Measurement Conditions For The Above Data Are: Temperature (23 ± 3 °C); Humidity (50 ± 5)%; Test Voltage: ± 1kv~± 100v;

SPECIFICATION TABLE

Size Specification Table

Number	Total Length	Effective Length	Number Of Discharge Electrodes	Number	Total Length	Effective Length	Number Of Discharge Electrodes	Number	Total Length	Effective Length	Number Of Discharge Electrodes	Number	Total Length	Effective Length	Number Of Discharge Electrodes
1	120	20	2	26	1120	1020	52	51	2120	2020	102	76	3120	3020	152
2	160	60	4	27	1160	1060	54	52	2160	2060	104	77	3160	3060	154
3	200	100	6	28	1200	1100	56	53	2200	2100	106	78	3200	3100	156
4	240	140	8	29	1240	1140	58	54	2240	2140	108	79	3240	3140	158
5	280	180	10	30	1280	1180	60	55	2280	2180	110	80	3280	3180	160
6	320	220	12	31	1320	1220	62	56	2320	2220	112	81	3320	3220	162
7	360	260	14	32	1360	1260	64	57	2360	2260	114	82	3360	3260	164
8	400	300	16	33	1400	1300	66	58	2400	2300	116	83	3400	3300	166
9	440	340	18	34	1440	1340	68	59	2440	2340	118	84	3440	3340	168
10	480	380	20	35	1480	1380	70	60	2480	2380	120	85	3480	3380	170
11	520	420	22	36	1520	1420	72	61	2520	2420	122	86	3520	3420	172
12	560	460	24	37	1560	1460	74	62	2560	2460	124	87	3560	3460	174
13	600	500	26	38	1600	1500	76	63	2600	2500	126	88	3600	3500	176
14	640	540	28	39	1640	1540	78	64	2640	2540	128	89	3640	3540	178
15	680	580	30	40	1680	1580	80	65	2680	2580	130	90	3680	3580	180
16	720	620	32	41	1720	1620	82	66	2720	2620	132	91	3720	3620	182
17	760	660	34	42	1760	1660	84	67	2760	2660	134	92	3760	3660	184
18	800	700	36	43	1800	1700	86	68	2800	2700	136	93	3800	3700	186
19	840	740	38	44	1840	1740	88	69	2840	2740	138	94	3840	3740	188
20	880	780	40	45	1880	1780	90	70	2880	2780	140	95	3880	3780	190
21	920	820	42	46	1920	1820	92	71	2920	2820	142	96	3920	3820	192
22	960	860	44	47	1960	1860	94	72	2960	2860	144	97	3960	3860	194
23	1000	900	46	48	2000	1900	96	73	3000	2900	146	98	4000	3900	196
24	1040	940	48	49	2040	1940	98	74	3040	2940	148				
25	1080	980	50	50	2080	1980	100	75	3080	2980	150				

Number	Total Length	Effective Length	Number Of Discharge Electrodes	Number	Total Length	Effective Length	Number Of Discharge Electrodes	Number	Total Length	Effective Length	Number Of Discharge Electrodes	Number	Total Length	Effective Length	Number Of Discharge Electrodes
1	120	20	3	34	1110	1010	102	67	2100	2000	201	100	3090	2990	300
2	150	50	6	35	1140	1040	105	68	2130	2030	204	101	3120	3020	303
3	180	80	9	36	1170	1070	108	69	2160	2060	207	102	3150	3050	306
4	210	110	12	37	1200	1100	111	70	2190	2090	210	103	3180	3080	309
5	240	140	15	38	1230	1130	114	71	2220	2120	213	104	3210	3110	312
6	270	170	18	39	1260	1160	117	72	2250	2150	216	105	3240	3140	315
7	300	200	21	40	1290	1190	120	73	2280	2180	219	106	3270	3170	318

8	330	230	24	41	1320	1220	123	74	2310	2210	222	107	3300	3200	321
9	360	260	27	42	1350	1250	126	75	2340	2240	225	108	3330	3230	324
10	390	290	30	43	1380	1280	129	76	2370	2270	228	109	3360	3260	327
11	420	320	33	44	1410	1310	132	77	2400	2300	231	110	3390	3290	330
12	450	350	36	45	1440	1340	135	78	2430	2330	234	111	3420	3320	333
13	480	380	39	46	1470	1370	138	79	2460	2360	237	112	3450	3350	336
14	510	410	42	47	1500	1400	141	80	2490	2390	240	113	3480	3380	339
15	540	440	45	48	1530	1430	144	81	2520	2420	243	114	3510	3410	342
16	570	470	48	49	1560	1460	147	82	2550	2450	246	115	3540	3440	345
17	600	500	51	50	1590	1490	150	83	2580	2480	249	116	3570	3470	348
18	630	530	54	51	1620	1520	153	84	2610	2510	252	117	3600	3500	351
19	660	560	57	52	1650	1550	156	85	2640	2540	255	118	3630	3530	354
20	690	590	60	53	1680	1580	159	86	2670	2570	258	119	3660	3560	357
21	720	620	63	54	1710	1610	162	87	2700	2600	261	120	3690	3590	360
22	750	650	66	55	1740	1640	165	88	2730	2630	264	121	3720	3620	363
23	780	680	69	56	1770	1670	168	89	2760	2660	267	122	3750	3650	366
24	810	710	72	57	1800	1700	171	90	2790	2690	270	123	3780	3680	369
25	840	740	75	58	1830	1730	174	91	2820	2720	273	124	3810	3710	372
26	870	770	78	59	1860	1760	177	92	2850	2750	276	125	3840	3740	375
27	900	800	81	60	1890	1790	180	93	2880	2780	279	126	3870	3770	378
28	930	830	84	61	1920	1820	183	94	2910	2810	282	127	3900	3800	381
29	960	860	87	62	1950	1850	186	95	2940	2840	285	128	3930	3830	384
30	990	890	90	63	1980	1880	189	96	2970	2870	288	129	3960	3860	387
31	1020	920	93	64	2010	1910	192	97	3000	2900	291	130	3990	3890	390
32	1050	950	96	65	2040	1940	195	98	3030	2930	294				
33	1080	980	99	66	2070	1970	198	99	3060	2960	297				

QP-H66B2I SIZE SPECIFICATION TABLE															
Number	Total Length	Effective Length	Number Of Discharge Electrodes	Number	Total Length	Effective Length	Number Of Discharge Electrodes	Number	Total Length	Effective Length	Number Of Discharge Electrodes	Number	Total Length	Effective Length	Number Of Discharge Electrodes
1	160	20	2	26	1160	1020	52	51	2160	2020	102	76	3160	3020	152
2	200	60	4	27	1200	1060	54	52	2200	2060	104	77	3200	3060	154
3	240	100	6	28	1240	1100	56	53	2240	2100	106	78	3240	3100	156
4	280	140	8	29	1280	1140	58	54	2280	2140	108	79	3280	3140	158
5	320	180	10	30	1320	1180	60	55	2320	2180	110	80	3320	3180	160
6	360	220	12	31	1360	1220	62	56	2360	2220	112	81	3360	3220	162
7	400	260	14	32	1400	1260	64	57	2400	2260	114	82	3400	3260	164
8	440	300	16	33	1440	1300	66	58	2440	2300	116	83	3440	3300	166
9	480	340	18	34	1480	1340	68	59	2480	2340	118	84	3480	3340	168
10	520	380	20	35	1520	1380	70	60	2520	2380	120	85	3520	3380	170
11	560	420	22	36	1560	1420	72	61	2560	2420	122	86	3560	3420	172
12	600	460	24	37	1600	1460	74	62	2600	2460	124	87	3600	3460	174
13	640	500	26	38	1640	1500	76	63	2640	2500	126	88	3640	3500	176
14	680	540	28	39	1680	1540	78	64	2680	2540	128	89	3680	3540	178
15	720	580	30	40	1720	1580	80	65	2720	2580	130	90	3720	3580	180
16	760	620	32	41	1760	1620	82	66	2760	2620	132	91	3760	3620	182
17	800	660	34	42	1800	1660	84	67	2800	2660	134	92	3800	3660	184
18	840	700	36	43	1840	1700	86	68	2840	2700	136	93	3840	3700	186
19	880	740	38	44	1880	1740	88	69	2880	2740	138	94	3880	3740	188
20	920	780	40	45	1920	1780	90	70	2920	2780	140	95	3920	3780	190
21	960	820	42	46	1960	1820	92	71	2960	2820	142	96	3960	3820	192
22	1000	860	44	47	2000	1860	94	72	3000	2860	144	97	4000	3860	194
23	1040	900	46	48	2040	1900	96	73	3040	2900	146				
24	1080	940	48	49	2080	1940	98	74	3080	2940	148				
25	1120	980	50	50	2120	1980	100	75	3120	2980	150				

QP-H66B2H SIZE SPECIFICATION TABLE															
Number	Total Length	Effective Length	Number Of Discharge Electrodes	Number	Total Length	Effective Length	Number Of Discharge Electrodes	Number	Total Length	Effective Length	Number Of Discharge Electrodes	Number	Total Length	Effective Length	Number Of Discharge Electrodes
1	160	20	3	34	1150	1010	102	67	2140	2000	201	100	3130	2990	300
2	190	50	6	35	1180	1040	105	68	2170	2030	204	101	3160	3020	303
3	220	80	9	36	1210	1070	108	69	2200	2060	207	102	3190	3050	306
4	250	110	12	37	1240	1100	111	70	2230	2090	210	103	3220	3080	309
5	280	140	15	38	1270	1130	114	71	2260	2120	213	104	3250	3110	312
6	310	170	18	39	1300	1160	117	72	2290	2150	216	105	3280	3140	315
7	340	200	21	40	1330	1190	120	73	2320	2180	219	106	3310	3170	318
8	370	230	24	41	1360	1220	123	74	2350	2210	222	107	3340	3200	321
9	400	260	27	42	1390	1250	126	75	2380	2240	225	108	3370	3230	324
10	430	290	30	43	1420	1280	129	76	2410	2270	228	109	3400	3260	327
11	460	320	33	44	1450	1310	132	77	2440	2300	231	110	3430	3290	330
12	490	350	36	45	1480	1340	135	78	2470	2330	234	111	3460	3320	333
13	520	380	39	46	1510	1370	138	79	2500	2360	237	112	3490	3350	336
14	550	410	42	47	1540	1400	141	80	2530	2390	240	113	3520	3380	339
15	580	440	45	48	1570	1430	144	81	2560	2420	243	114	3550	3410	342
16	610	470	48	49	1600	1460	147	82	2590	2450	246	115	3580	3440	345
17	640	500	51	50	1630	1490	150	83	2620	2480	249	116	3610	3470	348
18	670	530	54	51	1660	1520	153	84	2650	2510	252	117	3640	3500	351
19	700	560	57	52	1690	1550	156	85	2680	2540	255	118	3670	3530	354
20	730	590	60	53	1720	1580	159	86	2710	2570	258	119	3700	3560	357
21	760	620	63	54	1750	1610	162	87	2740	2600	261	120	3730	3590	360
22	790	650	66	55	1780	1640	165	88	2770	2630	264	121	3760	3620	363
23	820	680	69	56	1810	1670	168	89	2800	2660	267	122	3790	3650	366
24	850	710	72	57	1840	1700	171	90	2830	2690	270	123	3820	3680	369
25	880	740	75	58	1870	1730	174	91	2860	2720	273	124	3850	3710	372
26	910	770	78	59	1900	1760	177	92	2890	2750	276	125	3880	3740	375
27	940	800	81	60	1930	1790	180	93	2920	2780	279	126	3910	3770	378
28	970	830	84	61	1960	1820	183	94	2950	2810	282	127	3940	3800	381
29	1000	860	87	62	1990	1850	186	95	2980	2840	285	128	3970	3830	384
30	1030	890	90	63	2020	1880	189	96	3010	2870	288	129	4000	3860	387
31	1060	920	93	64	2050	1910	192	97	3040	2900	291				
32	1090	950	96	65	2080	1940	195	98	3070	2930	294				
33	1120	980	99	66	2110	1970	198	99	3100	2960	297				

STEP

Solve Electrostatic Problems

1' STEP

Electrostatic Measurement

The Position And Size Of Static Electricity Can Be Measured With An Electrostatic Tester In Order To Formulate An Electrostatic Solution

2' STEP

Electrostatic Elimination

Different Static Elimination Equipment Shall Be Used According To The Working Environment Of Static Electricity Generated In Industrial Manufacturing

3' STEP

Maintenance

Regularly Clean And Maintain The Electrostatic Elimination Equipment To Maintain The Electrostatic Elimination Effect Of The Electrostatic Elimination Equipment



Welcome To Inquire

QEEPO Will Provide You With A Full Set Of Static Electricity Problem Solutions!

Tel

021-67651108

E-mail:sales@qeepeo.cn

SCAN Add attention

Main Products: Intelligent Electrostatic Eliminator, Corona Processor, Electrostaticgenerator, Ion Wind Rod, High Voltage Generator, Ion Fan, Electrostatic Sensor,electrostatic Tester, Etc



Alibaba Website



Official Website



Wechat Official Account

QEEPO Shanghai Static Co., Ltd. Shenzhen Pengpu Intelligent Equipment Co., Ltd

Alibaba: <https://pponpo.en.alibaba.com> Web: <https://www.qeepeosd.com>

Company Headquarters Address: Building 1, Lane 160, Longgao Road, Songjiang District, Shanghai

Shenzhen Branch Address: Room 1204, Block A, Building 1, Xingyao Plaza, No. 38 Huaxing Road, Longhua District, Shenzhen

The products mentioned in this brochure are subject to change without prior notice. We apologize for any inconvenience caused.
Copyright © 2026 QEEPO Shanghai Static Co., Ltd. All Rights Reserved