



QP-C01 SERIES ELECTROSTATIC SENSOR



Resolution 1V

Real-time Monitoring
Electrostatic Voltage On Object Surface



It Can Be Widely Used In Optoelectronics, Electronics, New Materials, New Energy,
Printing And Other Industries

Small Volume Convenient Installation And Beautiful Appearance

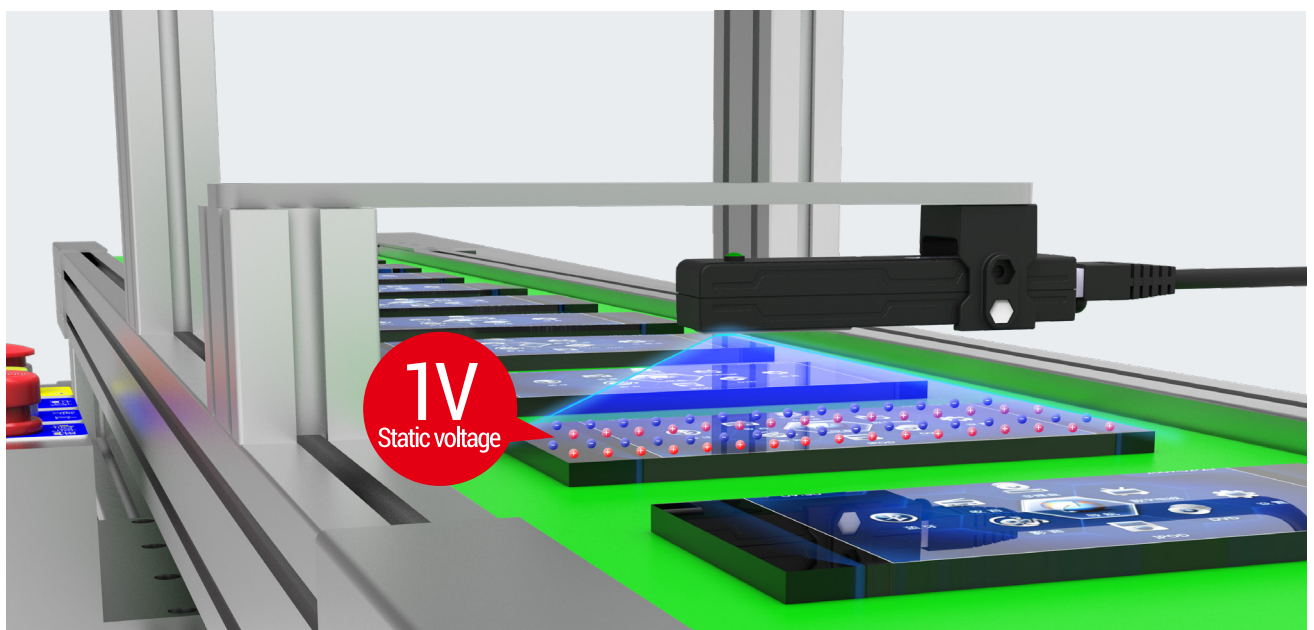
Industrial-grade Design, Small Size, Installation Does Not Affect The Operation Of Production Equipment, Wide Application Range, Can Be Widely Used In Optoelectronics, Electronics, New Materials, New Energy, Printing And Other Industries.



High-precision measurement

High-precision measurement with precision sensors, capable of measuring electrostatic voltage as low as 1V

Non-contact detection of surface static electricity enables stable monitoring and real-time and effective acquisition of the surface voltage of the tested object.



High Speed Response

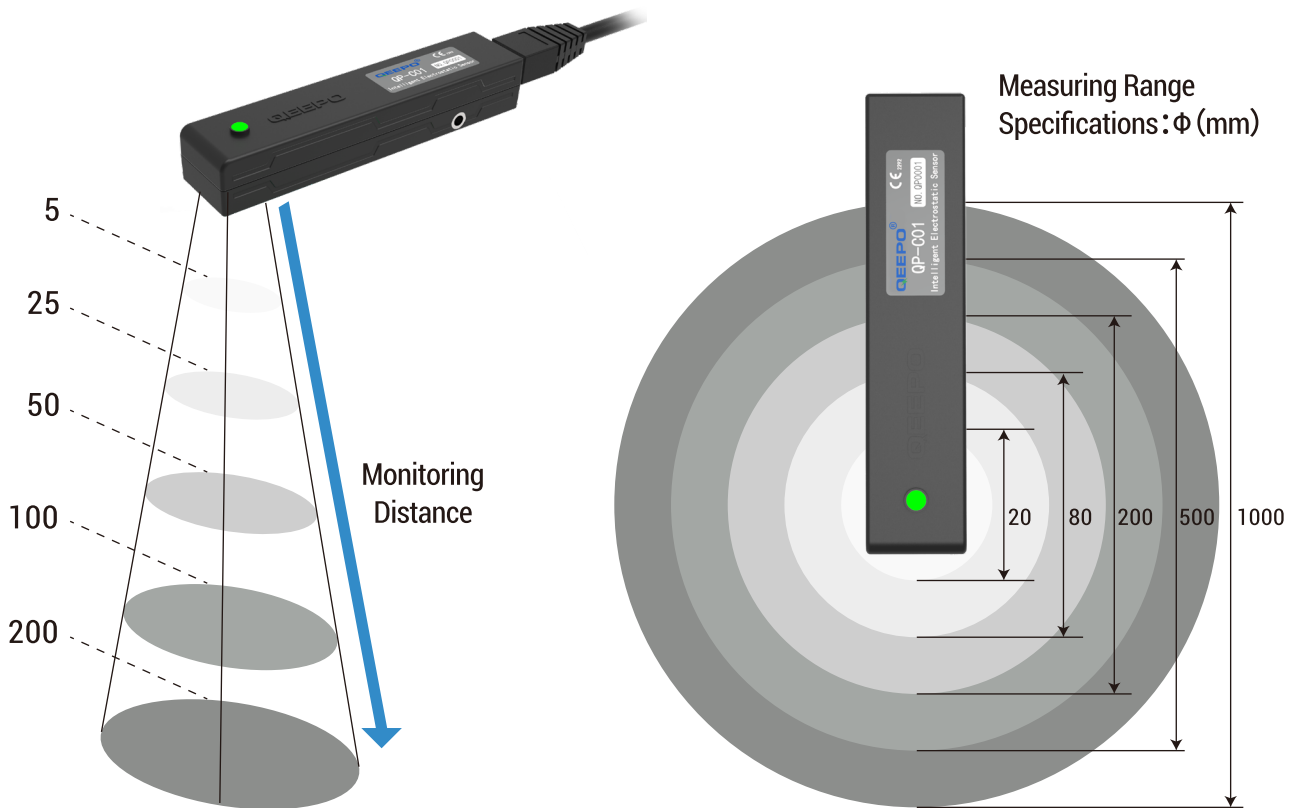
Wide Range And High Accuracy
Of Monitoring Potential

With a response speed of <math><50\text{mS}</math>, it measures electrostatic voltage within a range of $\pm 20\text{KV}$, with a measurement error of $\pm 5\%$ (or $\pm(3\%+2)$ when the measurement distance is 5mm). It also measures electrostatic voltage within a range of $\pm 2000\text{V}$. This device is suitable for high-speed production lines and high-precision monitoring of electrostatic voltage.



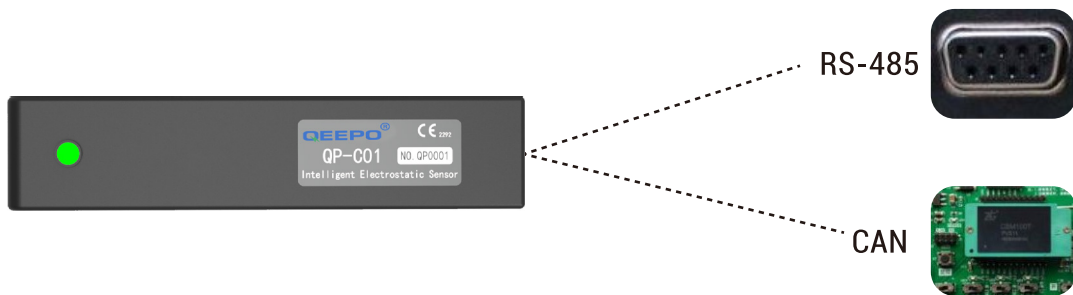
Monitoring Distance Free Choice Of Adjustment

For Different Installation Environments, The Sensor Can Freely Choose To Adjust The Monitoring Distance, 5/25/50/100/200 Mm (25 Mm By Default), Up To 200 Mm.



Support Multiple Communication Protocol Connections

The Sensor Has RS-485 And CAN Communication.



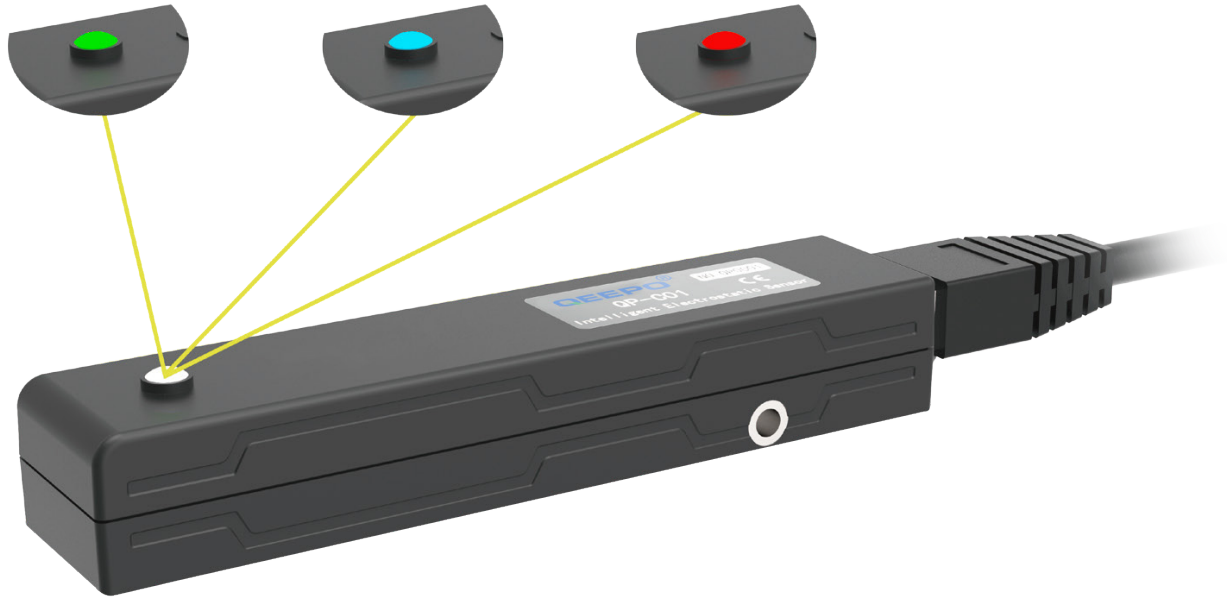
Real-time Transmission Of Monitoring Data

The Monitoring Data Can Be Transmitted To PC And Server In Real Time (Relay And PC Client Are Required).



Alarm Function

It Can Set The Alarm Threshold, Highlight The Led Operation Indicator, Keep The Green Light On In Normal State, Blue Alarm In Case Of Exceeding The Threshold, And Red Alarm In Case Of Fault.



Performance Parameter

Performance Parameter

MODEL	QP-C01		
Working Voltage	DC 7-36V	Measurement range	$\pm 2000V/\pm 20KV$ ①
operating current	< 25mA	resolution	1V/10V②
vibration frequency	< 1KHz	Product dimensions	95.5*20.7*18.5
Data response	< 50mS	material	PC
communication range	< 500m	Working environment temperature	0~50°C
measure distance	5/25/50/100/200mm	Working environment humidity	0~60%RH(No condensation)

Note: ① When the measurement distance is 5MM, the sensor detection voltage range is $\pm 2000V$. When the measurement distance is 25MM, 50MM, 100MM, or 200MM, the sensor detection voltage range is $\pm 20KV$.

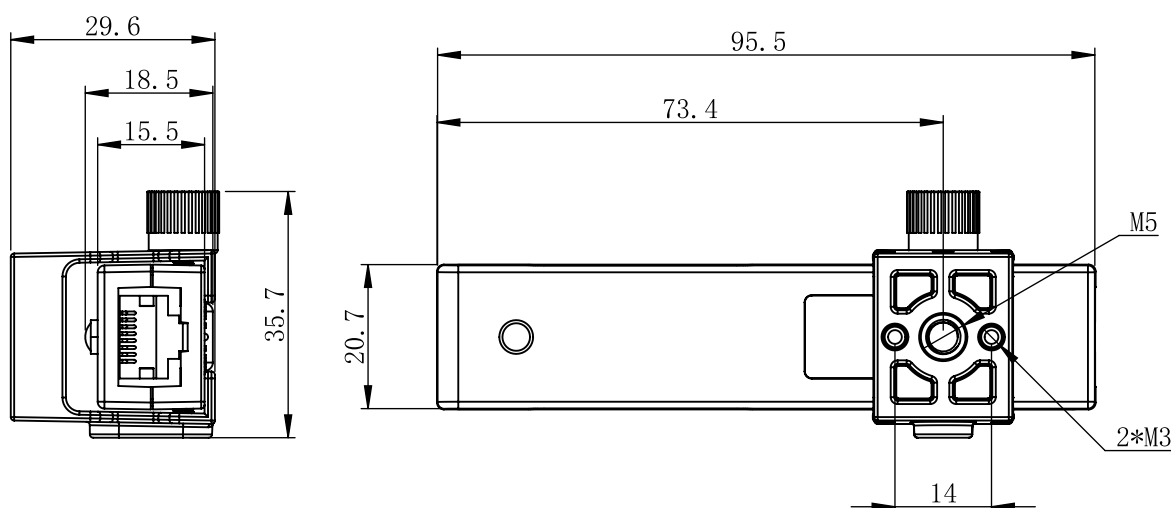
② When measuring at a distance of 5MM, the sensor's detection voltage resolution is 1V. When measuring at a distance of 25MM, the resolution is 1V when the detection voltage is less than 2000V, and 10V when the detection voltage is greater than 2000V. When measuring at distances of 50MM, 100MM, and 200MM, the resolution is 10V. Due to product upgrades and updates, product specifications and performance may change. Please refer to the actual product model, as prior notice may not be provided.

The range and minimum resolution corresponding to the detection distance of the sensor

Distance number	Detection distance	Range	Measurement error
1	5mm	$\pm 2000V$	$\pm(3\%+2)$
2	25mm	$\pm 20KV$	$\pm(5\%+2)$
3	50mm	$\pm 20KV$	$\pm 5\%$
4	100mm	$\pm 20KV$	$\pm 5\%$
5	200mm	$\pm 20KV$	$\pm 5\%$

Note: Please ensure consistency between the actual distance and the distance number. It is recommended to measure the installation distance as 25MM.

Product Dimension Drawing



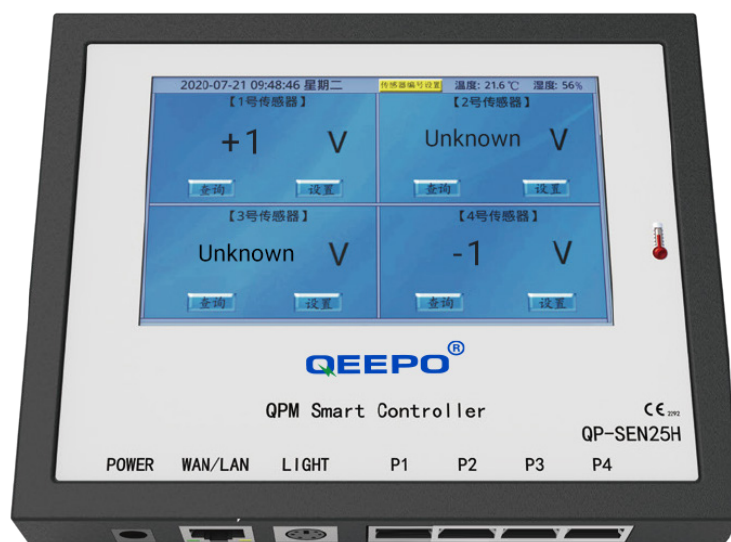
Supporting Use

Support Multiple Uses

Use With QP-S35W/QP-S35WH Series Static Eliminator



Used With QP-SEN25H Static Sensor Display Terminal



STEP

Solve Electrostatic Problems

1'
STEP

Electrostatic Measurement

The Position And Size Of Static Electricity Can Be Measured With An Electrostatic Tester In Order To Formulate An Electrostatic Solution

2'
STEP

Electrostatic Elimination

Different Static Elimination Equipment Shall Be Used According To The Working Environment Of Static Electricity Generated In Industrial Manufacturing

3'
STEP

Maintenance

Regularly Clean And Maintain The Electrostatic Elimination Equipment To Maintain The Electrostatic Elimination Effect Of The Electrostatic Elimination Equipment



Welcome To Inquire

QEEPO Will Provide You With A Full Set Of Static Electricity Problem Solutions!

Tel

021-67651108

E-mail:sales@qeepeo.cn

SCAN
Add attention

Main Products: Intelligent Electrostatic Eliminator, Corona Processor, Electrostaticgenerator, Ion Wind Rod, High Voltage Generator, Ion Fan, Electrostatic Sensor,electrostatic Tester, Etc



Alibaba Website



Official Website



Wechat Official Account

QEEPO Shanghai Static Co., Ltd. Shenzhen Pengpu Intelligent Equipment Co., Ltd

Alibaba: <https://pponpo.en.alibaba.com> Web: <https://www.qeeoesd.com>

Company Headquarters Address: Building 1, Lane 160, Longgao Road, Songjiang District, Shanghai

Shenzhen Branch Address: Room 1204, Block A, Building 1, Xingyao Plaza, No. 38 Huaxing Road, Longhua District, Shenzhen

The products mentioned in this brochure are subject to change without prior notice. We apologize for any inconvenience caused.
Copyright © 2026 QEEPO Shanghai Static Co., Ltd. All Rights Reserved