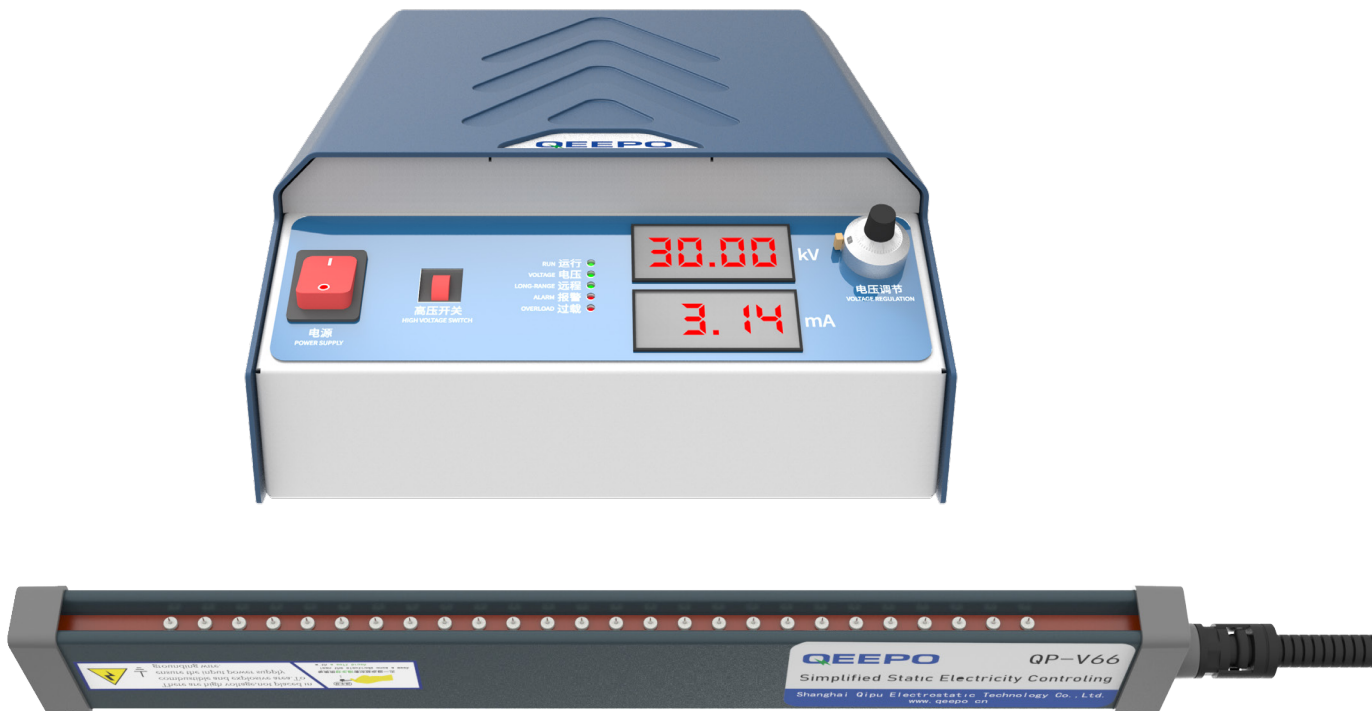




Electrostatic Generator

Consists Of Electrostatic Generating Rod And Electrostatic Generator

For Temporary Bonding Between Materials



Energy Saving, Easy Maintenance And Wide Application

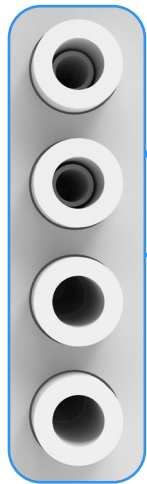
QP-EH

Electrostatic Generator

QP-EH Is An Electrostatic Generator That Is Used For Temporary Bonding And Adsorption By Electrostatic Generation. It Adopts A New High-voltage Technology. The Power Supply Is Simple To Operate, Convenient To Install, And Has A Complete Protective Circuit. It Is Suitable For Bonding, Perforation Detection, Charged Adsorption, Material Separation And Other Applications.

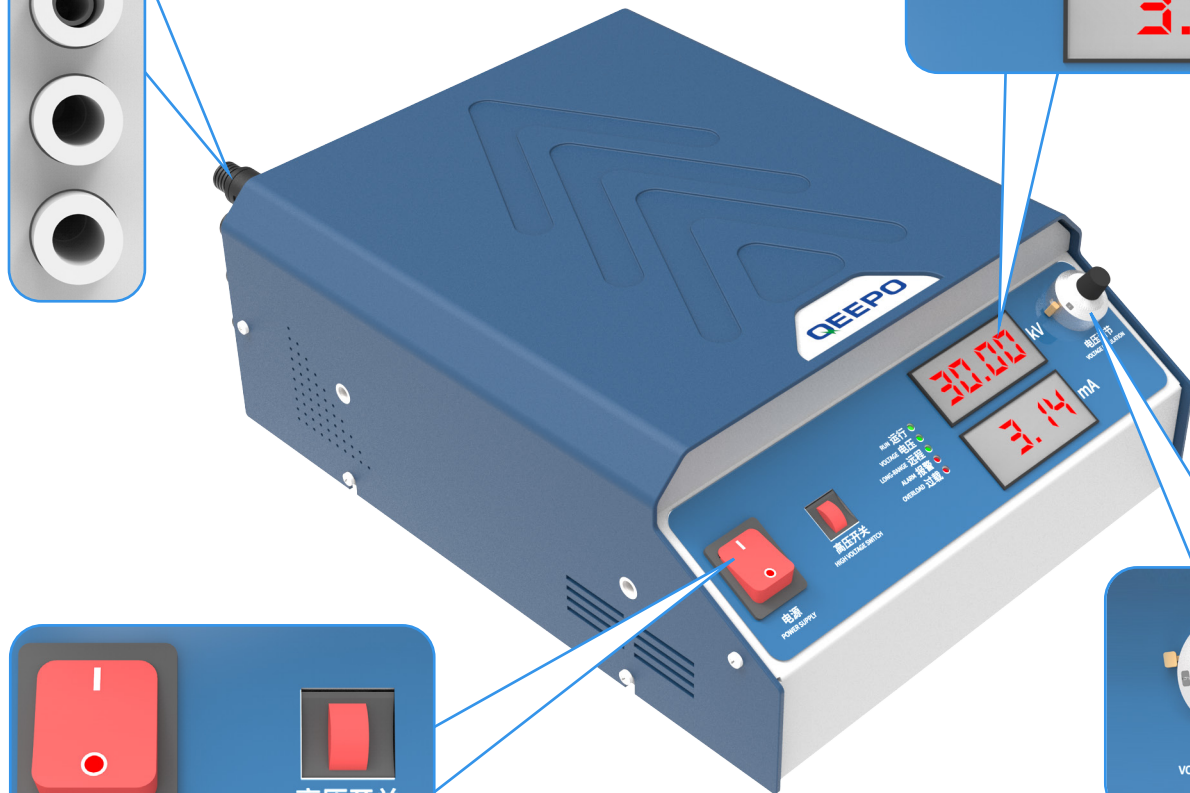
It Can Be Connected To 4 Static Electricity Generating Rods

4 High Voltage Output Ports



Current And Voltage Value Display

Visually And Clearly See The Adjustment Value



Voltage Regulation

Rotate The High-voltage Potentiometer Dial To Adjust

Simple Operation And Installation

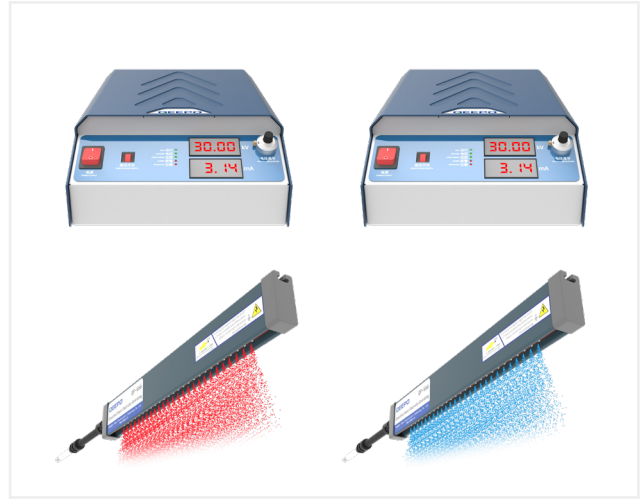
Equipped With Power Switch For Simple One Button Operation





Powerful Functions

It Can Generate 150w High-voltage Electric Energy, And The Maximum Output Voltage Is 30kv



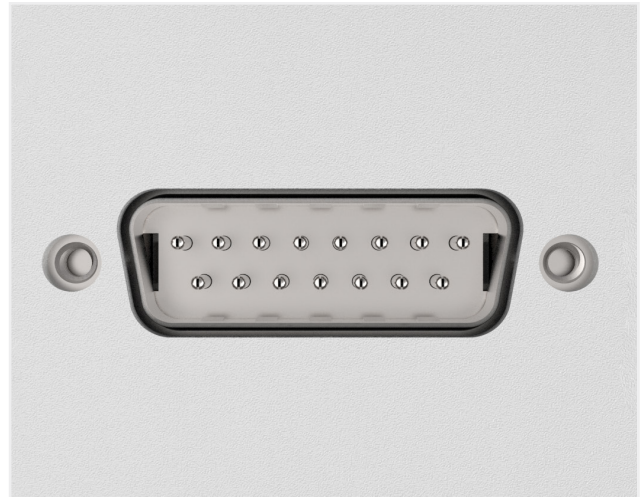
Positive Or Negative Polarity Optional

Can Be Stated When Ordering



Safe And Reliable

Complete Protection Circuit, Safe And Reliable



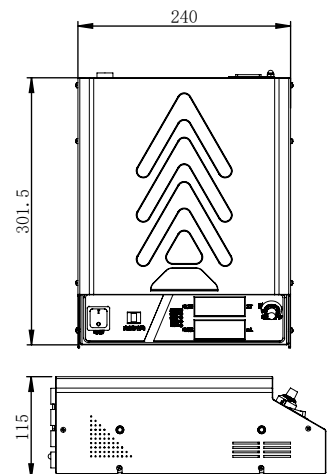
Remote Control

With Remote Control Port, It Can Be Controlled Remotely

SPECIFICATIONS

Performance Parameter

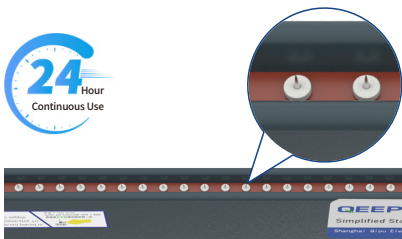
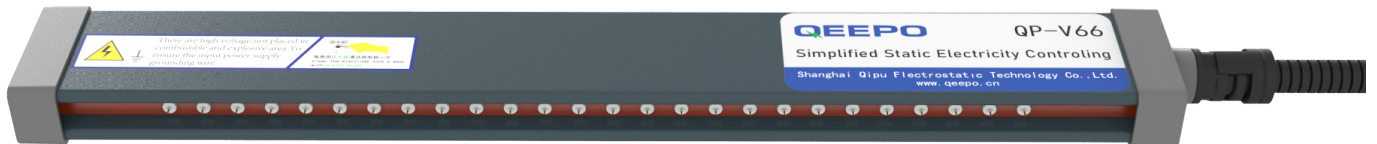
MODEL	QP-EH
Input Voltage	220V 50/60Hz
Power	150W
Output Voltage	+30KV Or -30KV
Overall Dimension L * W * H	240*301.5*115
Output Current	5mA
Working Temperature	0~50°C
Operating Humidity	0 ~ 70%RH (No Freezing And Condensation)



QP-V66

Electrostatic Generating Rod

It Is Made Of High Insulation Composite Materials, Which Is Safe And Reliable To Use;
 The Internal Safety Structure Design Can Better Ensure The Qualification Rate Of Electrostatic Products And Increase The Service Life Of Products;
 Excellent Material Selection, Can Be Used Continuously For 24h; Easy To Install.



High Performance Ion Probe

The internal safety structure is designed to avoid abnormal discharge and has a long service life. Continuous use for 24 hours.

Equipped With Insulating Support

More Secure And Easier To Install.

Supporting High-voltage Power Supply

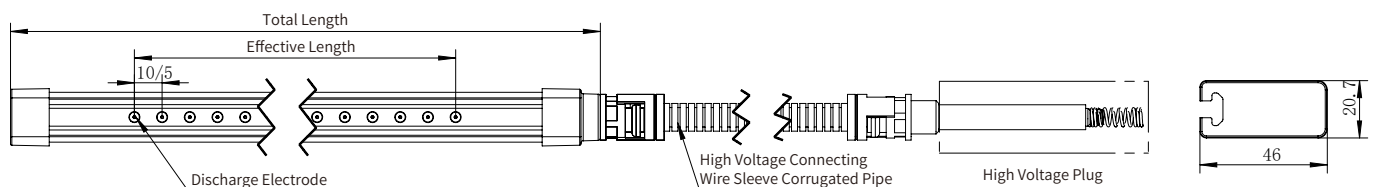
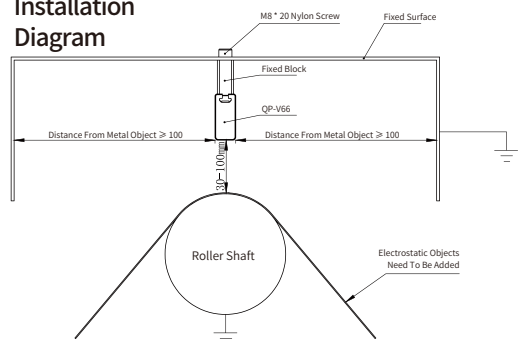
Can Be Used Together With QP-EH High-voltage Power Supply

SPECIFICATIONS

Performance Parameter

MODEL	QP-V66-5	QP-V66-10
Working Voltage	$\leq \pm 60KV$	$\leq \pm 60KV$
Operating Current	$< 2.5mA$	$< 2.5mA$
Operating Humidity	0~70% RH	0~70% RH
Working Temperature	0~50°C	0~50°C
Product Size	150mm~4000mm	150mm~4000mm
Installation Distance	30mm~100mm	30mm~100mm
Discharge Electrode Spacing	5mm	10mm

Installation Diagram



STEP

Solve Electrostatic Problems

1'
STEP

Electrostatic Measurement

The Position And Size Of Static Electricity Can Be Measured With An Electrostatic Tester In Order To Formulate An Electrostatic Solution

2'
STEP

Electrostatic Elimination

Different Static Elimination Equipment Shall Be Used According To The Working Environment Of Static Electricity Generated In Industrial Manufacturing

3'
STEP

Maintenance

Regularly Clean And Maintain The Electrostatic Elimination Equipment To Maintain The Electrostatic Elimination Effect Of The Electrostatic Elimination Equipment



Welcome To Inquire

Pengpu Will Provide You With A Full Set Of Static Electricity Problem Solutions!

Tel

+86-18917187405

E-mail:andy@qeepe.cn

SCAN
Add attention

Main Products: Intelligent Electrostatic Eliminator, Corona Processor, Electrostatic generator, Ion Wind Rod, High Voltage Generator, Ion Fan, Electrostatic Sensor, electrostatic Tester, Etc



Wechat Number Andy Wechat Official Account

Shanghai Pengpu Electrostatic Technology Co., Ltd. Shanghai Qipu Electrostatic Technology Co., Ltd. Shenzhen Pengpu Intelligent Equipment Co., Ltd

Alibaba: qeepe.en.alibaba.com

Company Headquarters Address: Building 1, Lane 160, Longgao Road, Songjiang District, Shanghai

Shenzhen Branch Address: Room 1204, Block A, Building 1, Xingyao Plaza, No. 38 Huaxing Road, Longhua District, Shenzhen